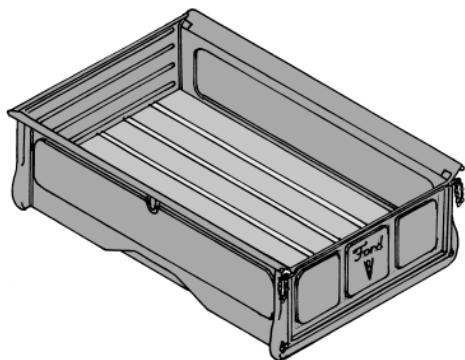


1938-50 Pickup Beds

Complete Pickup Boxes

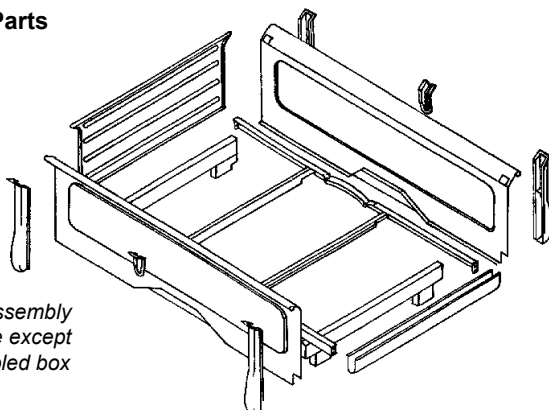
Complete boxes and kits include sides, front, subframe, stake pockets, floor, and tailgate with hinges, chains, brackets and hooks. Specify floor: Sheetmetal or oak with stainless rub strips.



Year	Assembled Box	Unassembled Box Kit
1938-40	81C-78000 3325.00 ea	81C-78000-K 2300.00 ea
1941	11C-78000 3250.00 ea	11C-78000-K 2350.00 ea
1942-47	21C-78000 3250.00 ea	21C-78000-K 2350.00 ea
1948-50	1C-78000 3250.00 ea	1C-78000-K 2350.00 ea

Note: Complete assembled and unassembled boxes are shipped freight collect from manufacturer in Missouri. Crating fee applies.

Pickup Box Parts



Subframe assembly not available except with assembled box or kit.

Bed Sides:	RH	LH
1938-47 sides	81C-78318 325.00 ea	81C-78319 325.00 ea
1948-50 sides	1C-78318 325.00 ea	1C-78319 325.00 ea
Center side support	81C-78358 15.00 ea	81C-78358 15.00 ea
Stake Pockets	81C-78328 32.50 ea	81C-78328 32.50 ea
Rear pocket brace	81C-78329 17.50 ea	81C-78330 17.50 ea
Bed Front & Rear:	1938-41	1942-47
Front Panel	81C-78243 175.00 ea	21C-78243 175.00 ea
Rear Crossmember	81C-78043 55.00 ea	21C-78043 55.00 ea

Bed to Frame Mounting Bolts

Use with original metal floor covering only

B-350628-C	1938-41 Front (8" Carriage), 2 reqd	not.avbl
B-350628-4	Center (Flathead square socket, 3 3/4"), 4 reqd	7.50 ea
B-350628-8	Rear (Flathead square socket, 8"), 2 reqd	10.00 ea
7C-8144155-S	Bed to Frame Pads (1948-52)	7.50 kit
VVD-1231-F	Bed to frame wood, front, 1938-41	125.00 ea
VVD-1231-R	Bed to frame wood, rear, 1938-41	120.00 ea

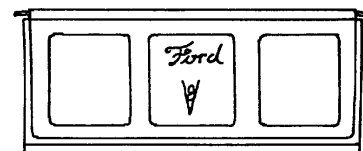
Spare Tire Bracket on Box

01C-1380	Stamped Steel, 1938-41	not.avbl
7C-1380	Stamped Steel, 1948-50	75.00 ea

1938-40 Tailgate

Stamped steel
46 3/4" wide

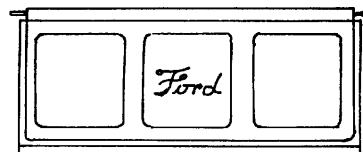
81C-78404 325.00 ea



1941 Tailgate

Stamped steel
46 3/4" wide

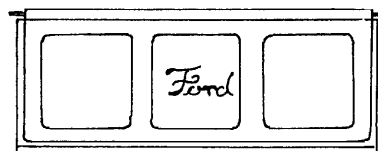
11C-78404 325.00 ea



1942-50 Tailgate

Stamped steel
49 3/4" wide

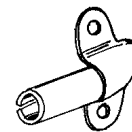
21C-78404 325.00 ea



Tailgate Hinges

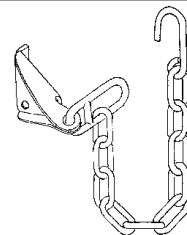
2 required per tailgate

81C-78446	Plain	10.00 ea
81C-78446-SS	Stainless	17.50 ea



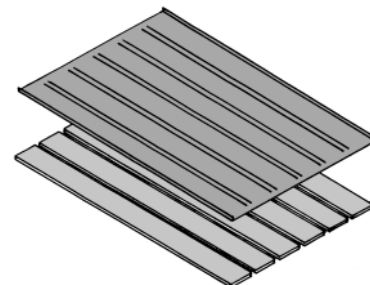
Tailgate Chain Hooks & Brackets

81C-78400	Chain bkt	7.50 ea
81C-78402	Chain	7.50 ea
81C-78403	Top Link (38-50)	12.50 ea
81C-78401	Hooks, plain	5.00 ea
A-78401-SS	Hooks, stainless	10.00 ea
40-78423	Hook spring	7.50 ea
7C-78420-S	Rubber covers	10.00 pr



Box Floor Original Design

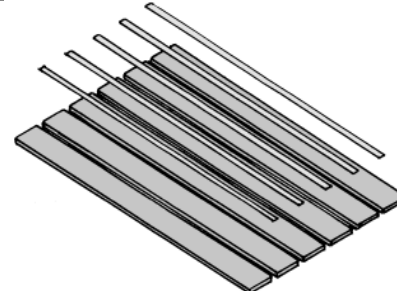
The original pickup box used a wood sub-floor with a full sheetmetal cover with rub rails embossed in.



Year	Floor Wood for cover	Floor Sheetmetal
1938-41	81C-78003-S 300.00 set	81C-78004-S 450.00 ea
1942-50	21C-78003-S 325.00 set	21C-78004-S 425.00 ea
B-78003-MS	Screw kit for original type sheetmetal floors 17.50 ea	

Box Floor, Custom Design

For the street rod truck with a wood floor. Kit includes oak wood, stainless rub strips, bolts, special brackets and spacers.



81C-78003-SRS	1938-41 Custom floor kit	450.00 set
21C-78003-SRS	1942-50 Custom floor kit	450.00 ea
7C-78003-CS	Optional corner angle rub strips	95.00 pr

* Parts with price listed as "not.avbl" are not known to be available at this time, but are listed for reference.