

## Universal Window Felt Parts

### Door Window Felt Strips, Universal, 8' Strips

#### Single Sided Strips:

	17/64	15/64	1/4	21/64	
	7/16	7/16	9/16	9/16	
	1	2	3	4	
H-45983-1	Single side strip, black bead			25.00 ea	
H-45983-2	Single side strip, stainless bead			22.50 ea	
H-45983-3	Single side strip, black bead			30.00 ea	
H-45983-4	Single side strip, stainless bead			30.00 ea	

#### U Shape, no bead:

	1/4	3/16 - 1/4	3/16 - 1/4	7/16 - 1/2	3/16 - 1/4	
	9/16	1/2	17/32	5/8	3/8	
	5	6	7	9	10	
	5/8	5/8	5/8	27/32	1/2	
H-45983-5	U shape, flexible, felt lined, black			40.00 ea		
H-45983-6	U shape, flexible, felt & pile lined, black			40.00 ea		
H-45983-7	U shape, flexible, pile lined, black			35.00 ea		
H-45983-9	U shape, flex, pile line, 7/16 to 1/2 glass (72" length)			45.00 ea		
H-45983-10	U shape, rigid, felt & pile lined, black			30.00 ea		

#### U Shape, Stainless bead

		3/16 - 1/4	3/16 - 1/4	
<i>U shape, flex, felt &amp; pile lined</i>				
H-45983-8	40.00 ea	9/16	1/2	12
<i>U shape, rigid, pile lined</i>		5/8	1/2	
H-45983-12	45.00 ea			

#### Double Channel, U shape

<i>used on some station wagon sliding windows</i>		7/16 - 1/2	
<i>Pile &amp; felt lined</i>		1/2	1 - 7/64
H-45983-20	50.00 ea		

### Window Felt Mounting Hardware

*These clips are included in complete window felt kits.*

YB-16740-C	Clip for ends of felt	1.00 ea
B-703536	Small headed screws, black, used to mount fuzzy strips to window openings when original hardware is not used (25 pcs)	5.00 set
48-703536-A	Punch Clips used 1935-52 (25 pcs)	10.00 ea
48-703536-B	Garnish Clips used 1935-36 (25 pcs)	10.00 ea
78-703536	Staples used 1937-48 (25 pcs)	5.00 ea
11A-703536	V Clips used 1941-48 (25 pcs)	10.00 ea

### Window Felt Universal Guide Channel

*U shape, use to support 5/8 wide felt for custom applications.*  
36" length:

H-45983-WC	30.00 ea
------------	----------



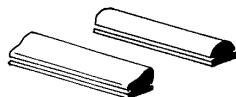
### Window Glass to Frame Setting Tape

B-37193-A	All years, 20 ft, 1/32" thick	10.00 ea
B-37193-B	All years, 20 ft, 3/64" thick	10.00 ea
B-37193-C	All years, 20 ft, 1/16" thick	15.00 ea
B-37193-D	All years, 20 ft, 5/64" thick	15.00 ea

### 1932-35 Window Glass Anti-Rattlers

*Fits into holes in door, body, and garnish molding. Included in felt kits.*

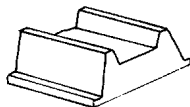
B-46044	Door or body	0.75 ea
B-45830	Garnish molding	0.75 ea



### Window Glass Bottom Rest Bumper

*Included in felt kits.*

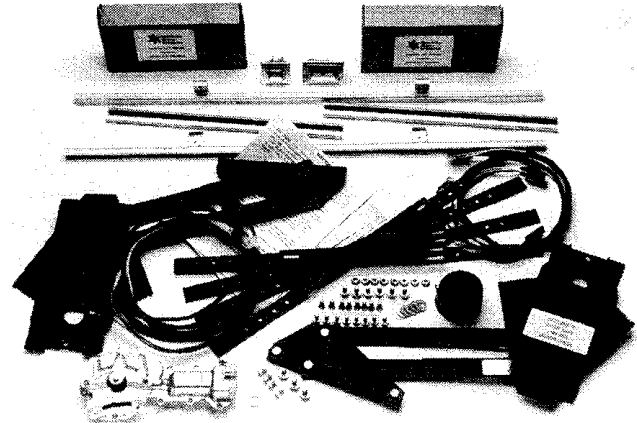
B-48141	1926-34	1.00 ea
---------	---------	---------



## Power Window Regulators

### "Geared" Power Window Kits by Specialty Power Windows

*This kit features AC Delco motors and includes regulators, window glass bottom channels, necessary mounting brackets, control switches, and switch wire harnesses. Minimum 24" glass width.*



SPW-48100-A	2-Window, for Coupe, Convrt*, Pickup	500.00 set
SPW-48100-C	4-Window, for Sedan	950.00 set
	<i>*Convertibles may need fabrication of upper stops for proper glass top control.</i>	

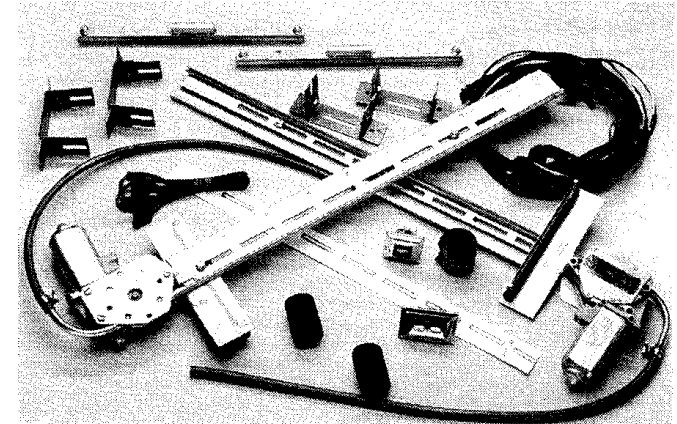
### Geared Regulator Kit for Model A

*Specially designed for easy installation into 1928-31 Model A. These are single arm regulators. Kit includes wiring and switches.*

SPW-48100-MA	2-Window, for Coupe & Pickup	500.00 ea
SPW-48100-MC	4-Window, for Sedan	950.00 ea

### Wonder Lift Regulator Kits by Specialty Power Windows

*This kit features Bosch motors and includes regulators, window glass bottom channels, necessary mounting brackets, control switches, and switch wire harnesses.*



SPW-48100-LA	2-Window, for Coupe & Pickup	500.00 set
SPW-48100-LC	4-Window, for Sedan	950.00 set

### Back Window Power Window Unit

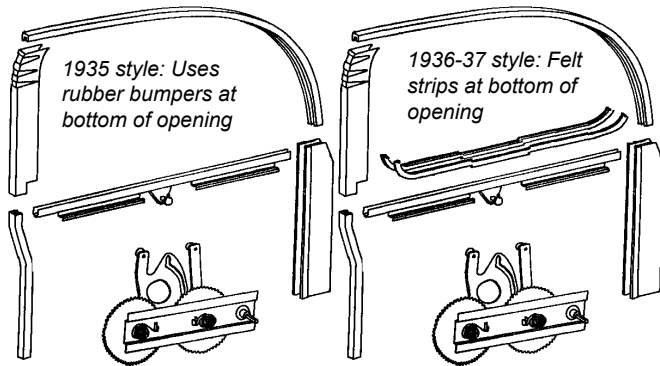
*We designed it for our 1932 3-Window Coupe, Specialty Power Windows makes it. Requires fabrication of a new mounting base plate to use on steel cars. Other fiberglass cars may need extra modifications to mount base plate and mount window channels.*

SPW-48100-RW	Back Window Power Unit	350.00 ea
--------------	------------------------	-----------

\* Parts with price listed as "not.avbl" are not known to be available at this time, but are listed for reference.

## 1935-47 Pickup & Truck Window Parts

### Typical 1935-37 Pickup Window Parts



### Roll-Up Window Felt Kits

The 1935-early 1936 used felt channel that went around the top and sides of the window and used rubber bumpers at the bottom. The late 1936-1937 used single sided felt at the bottom of the window opening. Each kit does two doors.

50-45983-PUA	1935-36, uses bumpers at window bottom	140.00 ea
50-45983-PUB	1936-37, uses felt all way around window	140.00 ea
81C-45983-PU	1938-39 Pickup & Truck	140.00 ea
01C-45983-PU	1940-41 Pickup & Truck	140.00 ea
21C-45983-PU	1942-47 Pickup & Truck	140.00 ea

### Window Regulators

81C-812700/1	1938-47 Pickup, Panel, COE	not.avbl
--------------	----------------------------	----------

### Window Regulator Repair Kits

Includes small pinion gear, handle shaft, housing, clutch spring, and 3 housing rivets. Ford used different suppliers so check number of pinion teeth and for 3 rivets mounting shaft housing.

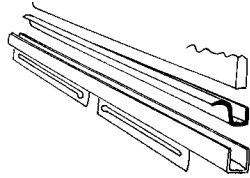
48-48105-WRK	w/6 tooth pinion	32.50 ea
--------------	------------------	----------

### Door Window Glass Retaining Channels

50-702170	Door, RH: 1935-37 Pickup & Panel	40.00 ea
50-702171	Door, LH: 1935-37 Pickup & Panel	40.00 ea
81C-702170	Door, RH: 1938-46 Pickup	40.00 ea
81C-702171	Door, LH: 1938-46 Pickup	40.00 ea

### Door Window Glass to Body Seal

Sets glass into channel. When window is rolled up it is sealed to door or body. 6' length.



B-45968	10.00 ea
---------	----------

### 1935-39 Sliding Back Window Kit

Excellent reproduction of the rare original accessory

50-813396-K	1935-39 Pickup	225.00 ea
-------------	----------------	-----------

### Back Window Seals

#### 10' Length, ends not bonded:

B-704220	1935-39 Pickup, 1935-37 Panel	15.00 ea
----------	-------------------------------	----------

#### With ends bonded as original:

81C-704220-PD	1938-39 Panel delivery, ends bonded	40.00 pr
01C-704220-PU	1940-47 Pickup, ends bonded	30.00 ea
01C-704220-PD	1940-47 Panel delivery, ends bonded	40.00 pr

\* Parts with price listed as "not.avbl" are not known to be available at this time, but are listed for reference.